

# Temperature Transmitter

## EXPLOSION PROOF ENCAPSULATION, IMMERSED SENSOR

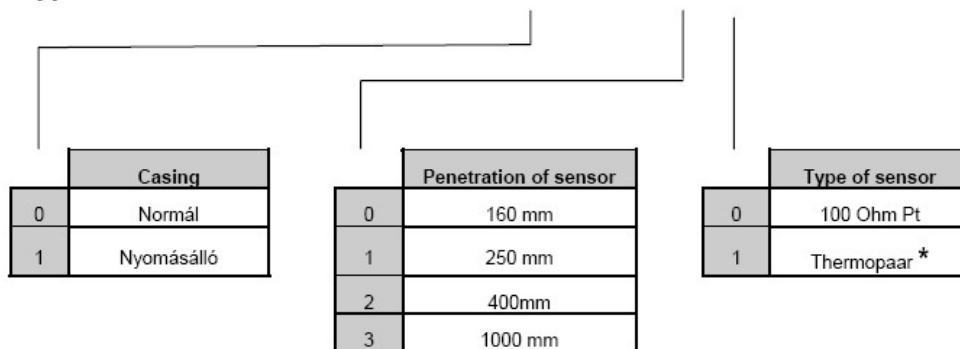
The temperature transmitter built in explosion proof casing and the immersing sensor is suitable for measuring the temperature of gases and liquids (even under pressure). The measuring element is a platinum RTD or a Thermocouple. The casing is suitable for the needs of field uses. If the temperature and pressure of the measurement medium does not exceed the given limits, it can be assembled directly to the technological equipment.



### Technical Data

Type number

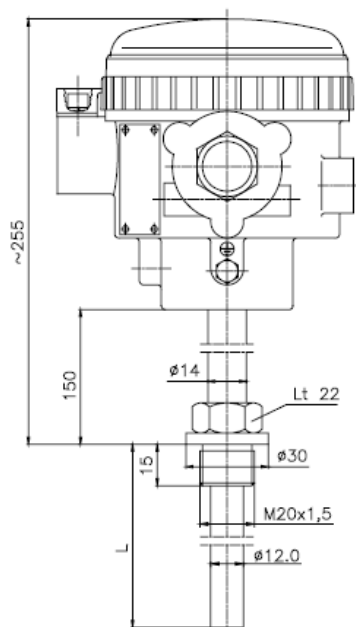
8 0 □ - 0 - 0 0 □ - □ /K



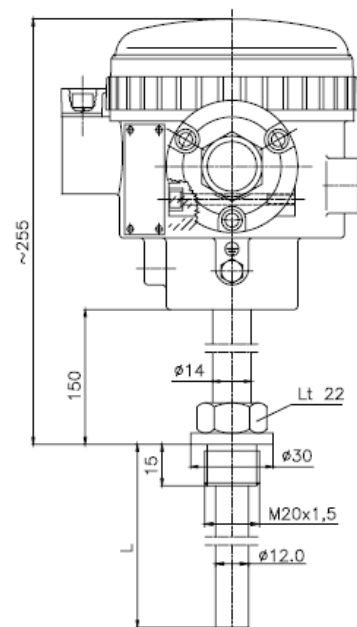
**K** : Custom version

\* The type must be specified!!

Measurement range	-60 ... +300 °C Pt -200 ... + 1200°C depend on thermocouple
Protection system	EEx de IIB T6
Protection	IP 65 MSZ IEC 529
Environmental Temperature range	-20 ... +60 °C
Relative humidity of air	30 ... 98%
Allowable operating vibration	25 Hz; 0,1 mm ampl.
Weight	max. 2,5 kg
Accuracy	<0,2% °C
Output signal	4-20 mA



Normal casing



Explosion proof casing

L = 160mm  
L = 250 mm  
L = 400 mm  
L=1000 mm

**Outline diagram**