

# IMMERSION-TYPE FLANGED RESISTANCE THERMOMETER

The immersion-type resistance thermometers provided with flange are used for temperature measurement in tanks under pressure. The sensing element is separated from the medium to be measured by means of a protective tube suitable to withstand a pressure of 25 bar. The sensor unit can be assembled with the flange by means of threaded connection.

In order to improve the heat conductivity, the inner space can be filled with oil.

The resistance thermometer can be connected to the transmitters of type 333B- or 3350-, made by MMG AM Rt. Within hazardous areas, the measuring circuit shall be built with components of intrinsic safety.

The resistance thermometers can be used in intrinsically safe measuring circuits both indoors and outdoors in areas classified into classes A-1, B-1, A-2 etc. of fire- and explosion hazard, where the connected transmitter is also allowed to be used.

## Specification

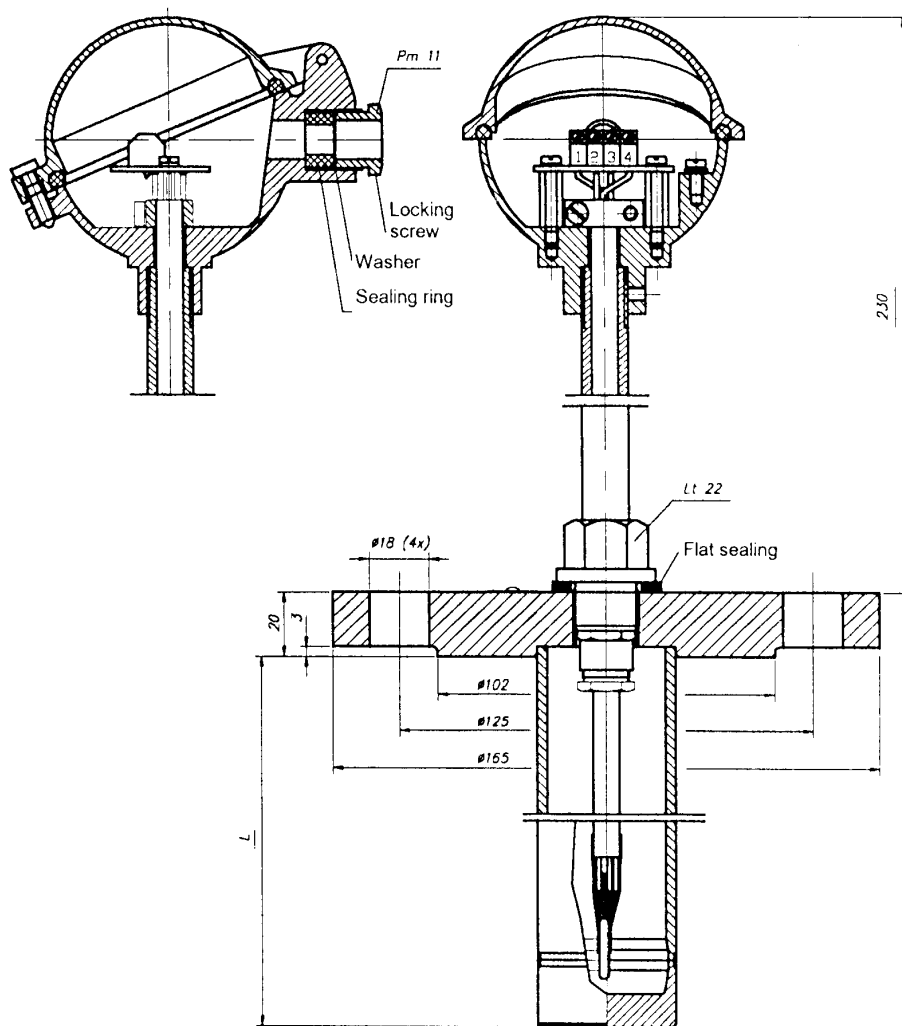
Type number

**3 3 3 8 – 0 – 0 0 5 – 0**

Length of immersion	to be specified in mm
Measuring range	-50 to +100 °C
Protection	IP 65 MSZ 806, IEC 529
Ambient temperature range	-50 to +70 °C
Design	for outdoor use
Max. current	≤ 3 mA DC
Insulating resistance	10 <sup>8</sup> Ohm
Type of flange	DN 50 PN 25
Material of flange and protective tube	stainless steel KO 36
Rated pressure	25 bar
Test pressure	40 bar
Dimensions, connection	see outline drawing
Mass	< 30 kg

The resistance of the immersion-type thermometer will be changed in proportion to the changes in the ambient temperature to be measured. This change in resistance will be converted by means of suitable transmitter into electric signal.

The immersion-type resistance thermometer provided with flange includes a temperature sensor of type Pt 100/385 (IEC 571), connected and fastened to a 4-core temperature resistant cable, insulated from the protective tube. The connection terminals are mounted within the upper cap. The compensating wire connected in the same manner is shorted at the temperature sensor and insulated.



**Outline drawing**