

# SOLITRAN

## Pressure transmitter

The SOLITRAN pressure transmitter is used to measure the pressure of liquids and gaseous media in various measuring control circuits.

The output signal of the transmitter is proportional to the input pressure in the range of 4 to 20mA DC. This output signal can be used to operate indicating instruments, recorders and controllers under the circumstances indicated in the specification.

The component parts in contact with the medium to be measured as well the transmitter casing are made of stainless steel (KO36, X12 CrNi17).

The instrument can be absolute or relative transmitter.

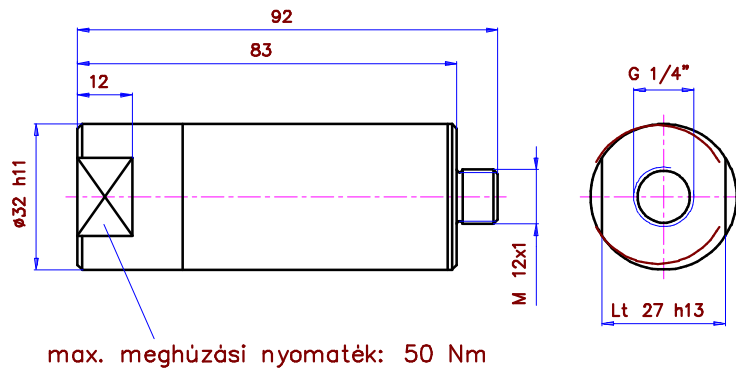
### Specification

#### Type number

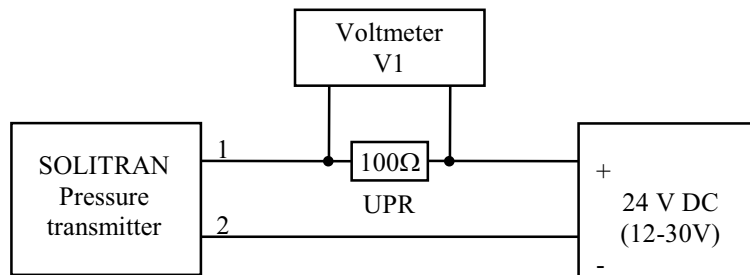
5 4 5 - 0 - 4 □ □ - 0

	Measuring range (bar)		Measuring range (bar)
09	0 ... 0,6	16	0 ... 16
10	0 ... 1	17	0 ... 25
11	0 ... 1,6	18	0 ... 40
12	0 ... 2,5	19	0 ... 60
13	0 ... 4	20	0 ... 100
14	0 ... 6	21	0 ... 160
15	0 ... 10	22	0 ... 250

Supply voltage :	12 to 30 V
Output signal :	4 ... 20 mA (two-wire system)
• on short circuit :	max. 35 mA
Class of accuracy :	0,4 (±0,2% related full scale, including the linearity error and hysteresis)
Temperature dependent additional zero error :	< 0,2% / 10 °C, related full scale
Temperature dependent additional sensitivity error :	< 0,2% / 10 °C, related full scale
Operating temperature range :	-40 to +100 °C
Operating temperature range with compensation :	-20 to +60 °C
Temperature range of the medium :	-40 to +125 °C
Protection :	IP 54
Pressure connection :	G ¼"
Electric connection for the cables :	Lumberg RKC/N 4/7 or RKWN 4/7
Mass :	approx. 0,2 kg



### Outline drawing



### Electric measuring circuit