

# Electrodynamical vibration exciter

The electrodynamic vibration exciter is suitable for the fast, local or laboratory checking of vibration exciters and vibration measuring instruments. Its relatively light weight and portable, battery design makes it possible to be convinced of the operating capability of the vibration measuring instruments on the spot.

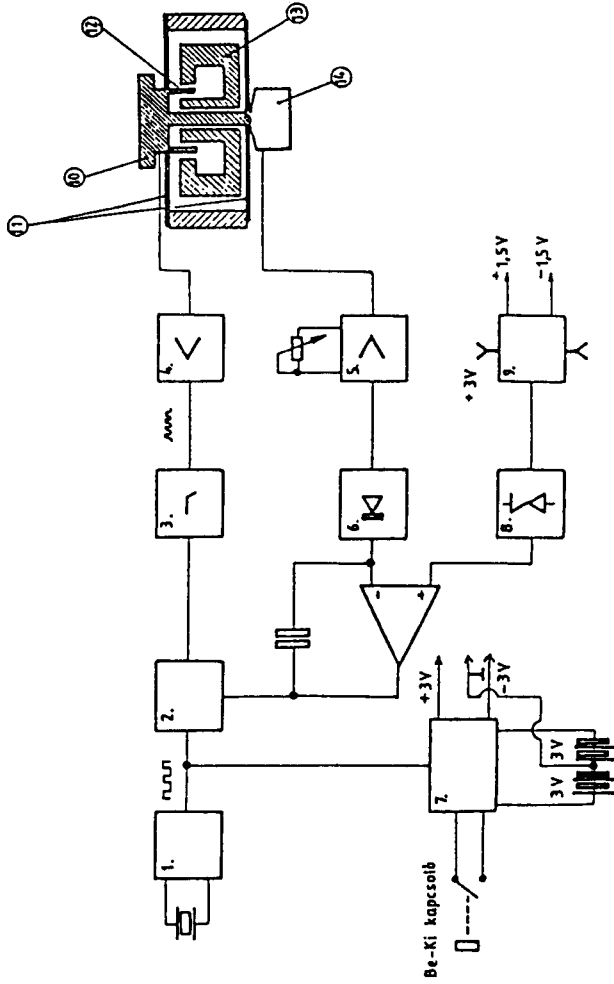
The electrodynamic vibration exciter provides a pre-adjusted, standard sine vibration that is to a large extent independent from the loading weight and from the environmental effects.

## Technical data

### Type numbers

**6 5 5 - 0 - 0 4 0 - 0**

Operating frequency	159,2 Hz (1000 rad/s), $\pm 1\%$
Acceleration	$10 \text{ m s}^{-2}$ (RMS) $\pm 3\%$
Speed	$10 \text{ mm s}^{-1}$ (RMS) $\pm 4\%$
Moving	$10 \text{ }\mu\text{m}$ (RMS) $\pm 5\%$
Transversal vibration	$\leq 10\%$
Distortion (Klirr factor)	$\leq 3\%$
Working order	$\leq 5 \text{ s}$ after turning on
Max. loading weight	250 g
Permissible humidity	95%-os relative humidity at $40^\circ\text{C}$
Temperature range	$+5\dots+55^\circ\text{C}$
Feeding	
• internal battery	4 pcs. of 1,5 V battery IEC type LR 20 ("D" size) or a rechargeable accu
• lifetime of the battery	kb. 60 minutes
Operating lifetime	52 s (with automatic turning off)
Size	
• diagonal	100 mm
• high	195 mm
• weight	kb. 3 kg
Accessories	portable case Screw-wrench 4 pcs fixing screw



Outline drawing

- |                          |                               |                        |
|--------------------------|-------------------------------|------------------------|
| 1. Órajel generátor      | 6. Egyenirányító              | 10. Rezgető test       |
| 2. Amplitudó határoló    | 7. Időzítő és kapcsoló egység | 11. Felfüggesztő rugók |
| 3. Alul áteresztő szűrő  | 8. Feszültség referencia      | 12. Lengő cséve        |
| 4. Telfeszítmény erősítő | 9. Belső tápegység            | 13. Mágnes             |
| 5. Erősítő               |                               | 14. Gyorsulás érzékelő |