



**MMG Műszerszerviz Kft.**  
1036 Budapest, Dereglye u. 1.,  
Tel/fax: 204-2252, Tel:203-7443  
Web: [www.mmg.hu](http://www.mmg.hu), E-mail: info@mmg.hu

## Mechanical pressure gauges

## DIFFERENTIAL PRESSURE GAUGE WITH DIAPHRAGM ELEMENT

KL 100\_F\_717\_2010\_12\_E



**MM 100 F/717/1,6**  
**MM 160 F/717/1,6**

### Application:

For gaseous and liquid aggressive media that are not highly viscous or crystallising, also in aggressive ambience.

Suitable for monitoring of pumps, filter monitoring, level measurement in closed tanks, chemical and process engineering applications.

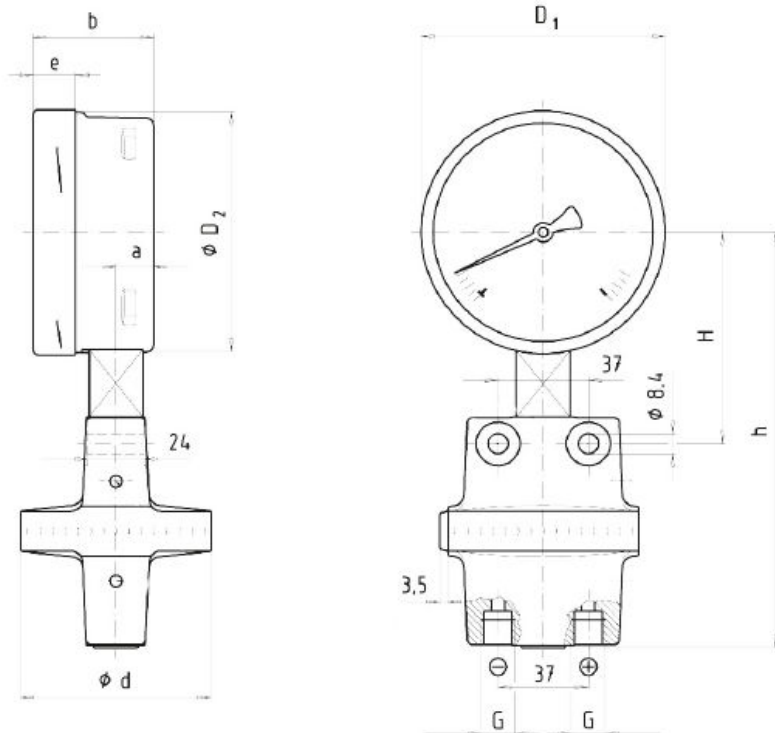
### Technical parameters:

Construction	EN 837-1
Nominal size	100 mm, 160 mm
Accuracy glass	1,6%
Scale range	0-16 mbar to 0-25 bar
Working pressure	Static load 75% of full scale value dynamic load 65% of full scale value
Operating temperature	ambient - 20.....+60°C medium max +100°C
Temperature effect	when temperature of the pressure element deviates from reference(+ 20°C) $\pm 0,05 \times (t_r - t_e) \%$ stainless steel
Movement	stainless steel
Dial	white aluminium, dial marking black
Pointer	black
Lens	safety glass
Case	bayonet ring, stainless steel
Measuring element	diaphragm, stainless steel
Socket	stainless steel, 1.4571
Connection	2x lower mount (LM)
Connection thread	G 1/4, other*
Protection	IP 65 EN 60 529
Options	glycerine filled, electric contact*

\* marked execution on special request



**MMG Műszerszerviz Kft.**  
 1036 Budapest, Dereglye u. 1.,  
 Tel/fax: 204-2252, Tel:203-7443  
 Web: [www.mmg.hu](http://www.mmg.hu), E-mail: info@mmg.hu



∅	pressure range	a	b	D <sub>1</sub>	D <sub>2</sub>	d	e	G	h ± 1	H	F	C <sub>1</sub>	C <sub>2</sub>	weight
100	≤ 0.25 bar	15.5	49.5	101	99	140	17.5	G ¼	171	90	114	96	118	2.70
100	> 0.25 bar	15.5	49.5	101	99	78	17.5	G ¼	171	87	114	66	88	1.90
160	≤ 0.25 bar	15.5	49.5	161	159	140	17.5	G ¼	201	120	144	96	118	3.40
160	> 0.25 bar	15.5	49.5	161	159	78	17.5	G ¼	201	117	144	66	88	2.40

**Identification:**

type	pressure range	diameter
<b>MM 100 F/717/1,6</b>	0-16 mbar ÷ 0-25 bar	100 mm
<b>MM 160 F/717/1,6</b>	0-16 mbar ÷ 0-25 bar	160 mm

pressure range	max. working pressure (bar)	
	standard	option
0 ... 16    0 ... 40 mbar	2.5	6
0 ... 60    0 ... 250 mbar	6	10
0 ... 400 mbar	25	40
0 ... 0.6 bar	25	40
0 ... 1 bar	25	40
0 ... 1.6 bar	25	40
0 ... 2.5    0 ... 25 bar	25	40