



**MMG Műszerszerviz Kft.**  
 1036 Budapest, Dereglye u. 1.,  
 Tel/fax: 204-2252, Tel:203-7443  
 Web: [www.mmg.hu](http://www.mmg.hu), E-mail: info@mmg.hu

**Mechanical pressure gauges**

**DIAPHRAGM PRESSURE GAUGE  
 WITH ELECTRICAL CONTACTS**

KL 160\_N\_717\_1,6\_2011\_01\_E

**MM 160 N/717/1,6**



**Application:**

For difficult gaseous and liquid media which are viscous, aggressive, includes element or pollute. Suitable for chemical industry, petro-chemical industry, mining industry, mechanical engineering, environmental technology and plant construction. Pressure gauge for use and control of pressure facilities.

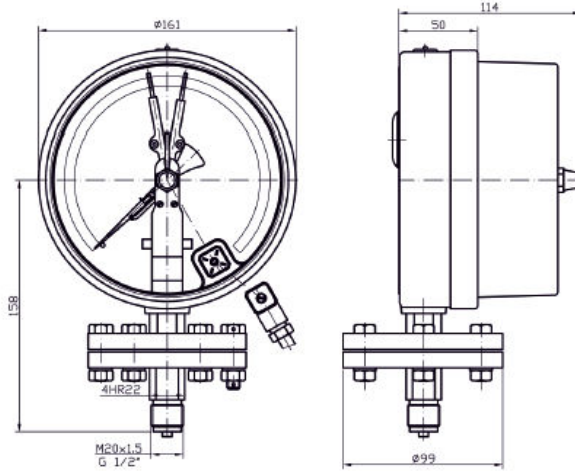
**Technical parameters:**

Construction	EN 837-3
Nominal size	160 mm
Accuracy class	1,6%
Scale range	0-60 kPa to 0-2,5 MPa, 0-0,6 bar to 0-25 bar vacuometer, manovacuumeter*
Working pressure	static load 75% of full scale value dynamic load 65% of full scale value
Operating temperature	ambient 20.....+60°C medium max. +100°C
Temperature effect	when temperature of the pressure element deviates from reference +20°C ± 0,08x(t <sub>2</sub> -t <sub>1</sub> )%
Movement	brass (stainless steel*)
Dial	white aluminium, dial marking black
Pointer	black aluminium
Lens	polycarbonate
Case	bayonet ring, stainless steel
Measuring element	diaphragm ≤ 2,5 bar stainless steel 1.4571 > 2,5 bar carbon steel, zinc plated (protection foil PTFE, 1.4571, duratherm)*
Gasket	PTFE
Upper flange	stainless steel 1.4301
Process Connection	stainless steel 1.4301 (1.4571,corrocoat, PTFE*)
Connection	lower mount (LM)
Connection thread	M 20x1,5 (G1/2, other)*
Protection	IP 65 EN 60 529
Options	process connection EN 1092 (DN25-DN65)*
Electrical contacts	magnetic contacts M11, M12, M21, M22

\* marked execution on special request



**MMG Műszerszerviz Kft.**  
 1036 Budapest, Dereglye u. 1.,  
 Tel/fax: 204-2252, Tel:203-7443  
 Web: [www.mmg.hu](http://www.mmg.hu), E-mail: info@mmg.hu



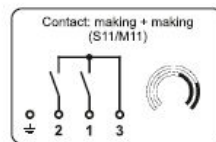
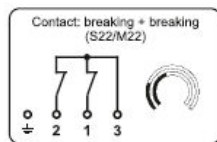
**IDENTIFICATION:**

model	execution	pressure range	flange	Weight
MM 160 N/717/1,6	dry	0-0,6 bar ÷ 0-25 bar		2150 g

**Specifications for ELECTRICAL CONTACTS:**

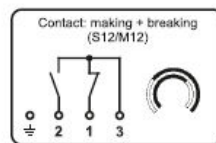
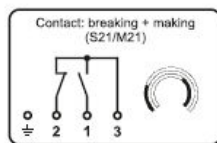
<b>Operating voltage</b>	250 V max.
<b>Making current</b>	1 A max.
<b>Breaking current</b>	1 A max.
<b>Permanent current</b>	0,6 A max.
<b>Switch capacity</b>	AC 30W, DC 50VA max.
<b>Contact material</b>	Ag80Ni20
<b>Contact version</b>	magnetic SNAP ACTION
<b>Contact configuration</b>	min-min, min-max, max-min, max-max
<b>Produce</b>	EN 60947

1. and 2. contact breaking when pointer reach set point



1. and 2. contact making when pointer reach set point

1. contact breaking, 2. contact making when pointer reach set point



1. contact making, 2. contact breaking when pointer reach set point

⊕ - green-yellow  
 1 - black - 2. Contact

2 - blue - 1. Contact  
 3 - brown - common pin