

Mechanical pressure switches

The pressure switch family is the series of precision industrial pressure switches, which is designed mainly according to the claims of gas and oil industry, but it also can be used on the other fields of industry, like chemical and food industry.

Their task is to open or close electric circuit with high accuracy when the pre-adjusted pressure value is reached. The instrument doesn't contain fuse.

Technical data:

Type numbers:

8 7 5 - 0 - 0 0 □ - 0

	Adjustable range (bar)	Hysteresis (bar)	Max. overload (bar)
1	0,2 - 1,6	0,06	6
2	0,2 - 2,5	0,1	16
3	0,5 - 6,0	0,15	16
4	1,0 - 10,0	0,3	16
5	3,0 - 16,0	0,5	25
6	4,0 - 25,0	1,0	60
7	10,0 - 40,0	1,3	60
8	16,0 - 63,0	2,0	130
9	20,0 - 80,0	2,5	130

Switching range :

adjustable according to the table

Repeating error :

max. 1% of the adjusted pressure

Temperature error (related full scale) :

- At 875-0-001-0 types $\leq 0,5\%$ / $10\text{ }^\circ\text{K}$
- At 875-0-002...9-0 types $\leq 0,3\%$ / $10\text{ }^\circ\text{K}$

Electric loading:

0 ... 10 A 250 V AC – Ohmic load
0 ... 5 A 250 V AC – inductive load
0 ... 1 A 24 V DC

Electric stability:

2 kV_{eff}

Frequency of switching:

10 switch / minute

Data of the switch :

- lifetime : 10×10^6 switching at sinusoidal pressure at room temperature

- checking voltage : 4000 V_{eff} according to DIN VDE 0110

Protection :

IP 65

Weight :

approx.. 0,55 kg

Installing position :

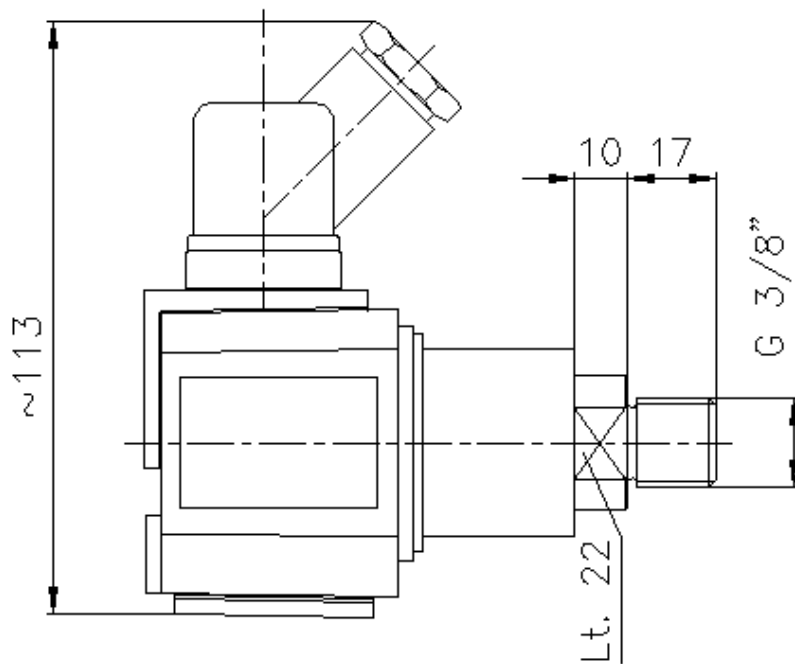
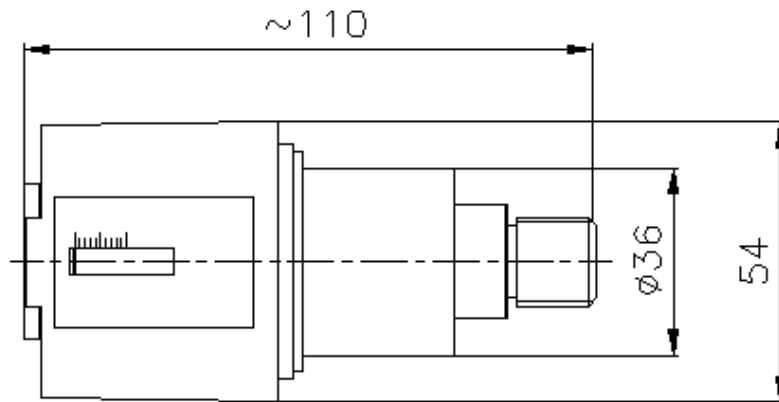
arbitrary

Range of environmental temperature :

-50 ... +70 °C

Vibration resistance:

- Up to 4g acceleration, change in the set value is not experienced
- At higher acceleration, the switching difference can change a little
- At higher than 25g acceleration, the instrument mustn't be used!



Outline drawing