

FOR DESIGNS WITH CONVERTER A MANUAL IS ENCLOSED TO THE RELEVANT CONVERTER

APPLICATION

- For exact remote measurement of temperature of steady and running liquids (gases and fluids), for which the properties of the heat of the sensor selected by the customer are suitable; measurement may be realized up to temperature (max. 450°C) and pressure determined by heat sink resistance.
- For explosive environment pursuant to ČSN EN 60079-10 (ČSN EN 61241-10)
 - o The sensor may be installed in the heat sink located in zone 0 (20), in zone 1(21) or zone 2(22); heat sink for zone 0 shall comply with the requirements of ČSN EN 60079-26 ed. 2 (refer to Figure 6)
 - o Other parts of the sensor (screw-joint, adapter, connecting head) may be located in zone 1(21) or zone 2(22)
 - o In case of using the converter Ex ia or connection into circuit Ex ia, the sensor may be used in zone 0 (20)
- In a set with control or diagnostic systems for process monitoring
- In design with converter for transfer of thermoelectric sensor signal to unified output signal 4 to 20 mA or digital signal (converter with HART protocol)

The sensors are rated products pursuant to the Act No. 22/1997 Coll. and Declaration of Conformity **EC-233000** is issued for them.

DESCRIPTION

The sensor consists of a replaceable measuring insert with a flange and a ceramic terminal board or an installed two-wire converter (insulated or non-insulated, even in design Ex i) and a protective armature consisting of a head and an adapter with a screw-joint for connecting the sensor to the heat sink selected by the customer. The head with measuring insert and outlet form a fixed closure Ex d. It is provided with a lid, which can be screwed, and a cable outlet for the connecting wiring. The cable outlet (pursuant to the required diameter of the cable) forms optional accessories to the sensor.

The terminal board (of the converter) of the sensor is accessible after removing the lid of the head, which is fixed, after being tightened, with a pin against spontaneous releasing. The sensor is provided with an external terminal and an internal terminal on the head for the connection of the grounding wire or wire for mutual interconnection.

The sensor with converter is supplied from an external source. The installed converter is pre-set to the required range at the sensor manufacturer.

To measure temperature, a defined change of thermoelectric voltage of the sensor in dependence on the change of temperature of the measured environment is used.

TECHNICAL DATA

The sensor design is based on DIN 43772. The sensor is designed pursuant to ČSN EN 61140 ed.2 as an electric equipment of protection class III for the application in networks with category of overvoltage in installation II and pollution grade 2 pursuant to ČSN EN 61010-1; the follow-up (evaluation) device shall comply with Article 6.3 of the said standard.

Measuring range:

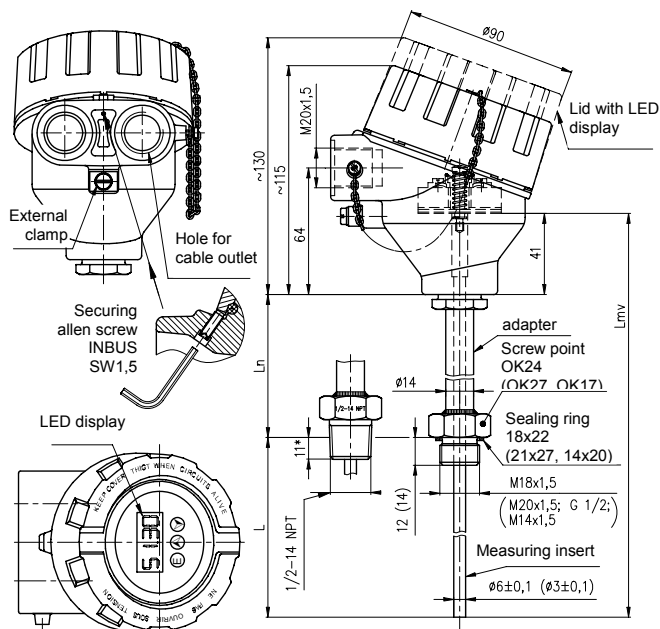
Sensor with standard adapter $L_n = 135$ (125) mm
 -70 to 450 °C

Sensor with shortened adapter $L_n \text{ min} = 65$ mm
 -70 to 250 °C

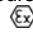
The upper limit of the range of measurement is limited by resistance of material of the used heat sink but it may not exceed 450°C.

If it is ensured in a suitable way that the surface temperature of the part of the sensor located in the dangerous area does not exceed the temperature of the required temperature class

(T1...T6), the upper limit of the range of measurement may also be higher (max. 1150°C for thermocouple K, max. 800°C for thermocouple J). Example of installation - refer to Figure 4. Measuring range of the sensor with converter is established by the range of the selected converter.



- L nominal length
- L_n length of adapter
- L_{mv} length of measuring insert
- 11* standard length of screwing in

Fixed closure pursuant to ČSN EN 60079-0 ed. 2 and ČSN EN 60079-1 **dust-tight closure** pursuant to ČSN EN 61241-0 and ČSN EN 61241-1:  II 2
 GD Ex d IIC T1...T6 / tD A IP68 T=T media
 (meaning of designation - refer to Figure 5)

Electric strength pursuant to ČSN EN 61010-1, Article 6.8.4:
 500 V eff

(only measuring insert without converter or design with insulated converter)

Electric insulation resistance pursuant to ČSN EN 61515:
 min. 1000 M Ω , at ambient temperature 20 \pm 15°C and max. 80% relative humidity

Power supply of converter:

DC 24 V from source SELV, e.g. INAP 16 and INAP 901

Other data of converter: refer to the enclosed manual

Ingress protection pursuant to ČSN EN 60529 IP 68

Operation position:

discretionary; the outlet shall not be situated upwards

Type of operation: continuous

Sensor weight:

with adapter 135 mm 0.93 kg

Applied materials:

Stem tube of measuring insert	for thermocouple of type "J"	steel 1.4541
	for thermocouple of type "K"	INCONEL 600
Adapter		steel 1.4541
Head		aluminium alloy painted with blue epoxy colour or corrosion-resistant steel 1.4401
Head terminals of terminal board		brass with Ni surface
Connecting elements of the sensor		stainless steel

OPERATION CONDITIONS

The environment is defined by the group of parameters and their severity grades IE 36 pursuant to ČSN EN 60721-3-3 and the following operation conditions.

Ambient temperature for head and outlet of the sensor:

- 50 °C ≤ Ta ≤ 85 °C
for design with converter pursuant to the type of converter (refer to enclosed converter manual)
- for design with converter and display
-20 °C ≤ Ta ≤ 70 °C

Maximum surface temperature of the sensor:

it complies with maximum temperature of measured medium

Maximum surface temperature for equipment operating in the environment with a threat of explosion of gases, steam and mist pursuant to ČSN EN 60079-0 ed. 2 and temperature class of the sensor are determined in dependency on the temperature of measured medium pursuant to the following table:

Temperature class	Maximum surface temperature	Maximum temperature of measured medium
T6	85°C	80°C
T5	100°C	95°C
T4	135°C	130°C
T3	200°C	195°C
T2	300°C	290°C
T1	450°C	440°C

Maximum permitted surface temperature for the equipment operating in the environment with a threat of explosion of dust pursuant to ČSN EN 61241-14:

- a) Temperature limitation due to occurrence of stirred dust:
 $T_{max} = 2/3 T_{ci}$
where T_{ci} is the temperature of ignition of stirred dust
- b) Temperature limitation due to occurrence of layers of dust to 5mm thickness: $T_{max} = T_{5mm} - 75 °C$
where T_{5mm} is the temperature of ignition of dust layer 5mm thick
- c) Dust layers over 5 mm – refer to ČSN EN 61241-14

Maximum permitted surface temperature is defined by the lower value of the values specified above.



WARNING



The user shall guarantee that the maximum surface temperature of any part of the sensor does not exceed the temperatures of ignition of any gas, steam or dust, which can occur, due to effects of external thermal sources.

Vibrations:

Sensor	with converter		without converter	
	110, 140, 170	200, 260	110, 140, 170	200, 260
Nominal length L [mm]				
Frequency range [Hz]	10 to 500			
Drift amplitude [mm]	0.2	0.15	0.5	0.2
Acceleration amplitude [ms ⁻²]	29.4	19.6	68.7	39.2

Relative ambient humidity:

10 to 100 % with condensation, with upper limit of water content 29 g H₂O/kg of dry air

Atmospheric pressure: 70 to 106 kPa

Maximum speed of flow of liquids:

pursuant to the parameters of the heat sink used by the customer

METROLOGICAL DATA

Probe: measuring thermocouple **J** (Fe-CuNi) or **K** (NiCr-NiAl) pursuant to ČSN EN 60584-1, Ø 6 or Ø 3 mm, tolerance class 2 or 1 pursuant to ČSN IEC 584-2 single or double with insulated measuring connection

Output signal

of analogue converter (linear with thermoelectric voltage):

4 to 20 mA

of programmable converter (linear with measured temperature):

4 to 20 mA (+ digital for HART protocol)

Calibration depth of immersion of the measuring insert of the sensor

for temperature points within range -70 to 250°C:

200 mm (min. 160 mm)

for temperature points above 250°C:

300 mm (min. 260 mm)

The distance of the flange of the measuring insert from the level of medium in the calibration bath shall be at least 40 mm at temperatures to 250°C and min. 70 mm at temperatures above 250°C.

Temperature response time pursuant to ČSN IEC 751 in whirling water (characteristic value):

without heat sink (independent measuring insert)	0.5	5.5 s
with heat sinks pursuant to DIN 43772, shape 4 (L = 110, 140, 170)	0.5	85 s
	0.9	250 s
with heat sinks pursuant to DIN 43772, shape 4 (L = 200, 260)	0.5	53 s
	0.9	115 s

CERTIFICATION

- Non-explosiveness
 II 2 GD Ex d IIC T1... T6 / tD A IP68 T=T media
 EC-Type Examination Certificate pursuant to the Decree of the Government 23/2003 Coll. FTZÚ 08 ATEX 0199X
- Non-explosiveness Ex i, EC-Type Examination Certificate pursuant to the Decree of the Government 23/2003 Coll., (pursuant to the converter type)

DESIGNATION:

Data of head label

- Trademark of the manufacturer
- Made in Czech Republic
- Type of thermoelectric sensor / tolerance class
- Measuring range or set-up converter range
- Product ordering number
- Ingress protection
- Manufacturing number
- Output signal 4 to 20 mA (design with converter)
- Ambient temperature
- Mark of non-explosiveness:
- II 2 GD Ex d IIC T1...T6 / tD A IP68 T=T media and number of the EC-Type Examination Certificate
- Mark of non-explosiveness and number of the EC-Type Examination Certificate (for design with converter Ex i)
- CE mark 1026
- CE mark with identification number of notified person (for design with converter Ex i)

Data on label of measuring insert

- Trade mark
- Sensor type / tolerance class
- Manufacturing number

Data on converter label

- Sensor type
- Pre-set temperature range

DELIVERY

Unless agreed otherwise with the customer, each delivery includes

- Delivery note
- Sensor pursuant to the purchase order
- Sealing ring
 - o Cu 18x22x1.5 (ČSN 02 9310.2) for connecting thread M18x1.5,
 - o 21x27 TPD 62-014-91 for connecting thread M20x1.5 and G ½
 - o 14x20 TPD 62-0114-91 for connecting thread M14x1.5 (for thread 1/2-14NPT, the sealing ring is not delivered)
- Allen key 1.5 mm
- A suitable cable outlet; it shall be ordered separately pursuant to the catalogue of accessories, type 991. An instruction sheet is delivered with each cable outlet
- Suitable heat sinks and weld-on pieces ordered separately pursuant to the catalogue of accessories, type 991
- Optional accessories to the sensor with programmable converter
 - o Configuration (parameterization) programme pursuant to the required converter
 - o Communication modem (for serial port RS 232C) pursuant to the required converter

- Accompanying technical documentation in Czech
 - o Product quality and completeness certificate, which also serves as the warranty certificate
 - o EC Declaration of Conformity
 - o Calibration sheet (for uncertified calibrated design)
 - o Product manual

If it is established in the purchase contract or agreed otherwise, the following documentation can be also delivered with the product

- Copy of the Inspection Certificate 3.1 for material of stem tube and heat sink with the casting number
- Copy of EC-Type Examination Certificate pursuant to the Decree of the Government 23/2003 Coll. for fixed closure
- Copy of EC-Type Examination Certificate pursuant to the Decree of the Government 26/2003 Coll. for design with converter Ex i

TABLE 1 - DESIGN OF TEMPERATURE SENSORS EX d TO HEAT SINK DIN - TYPE 333

SPECIFICATIONS					ORDERING NUMBER																	
					333	x	x	0	x	x	1	x	x	/xxxxxx	/xxx							
Nominal length L [mm]	110	Length of adapter L _n [mm]	125	Length of measuring insert L _{mv} [mm]	275	1	1	0														
	140		135		315	2																
	170		125		335	3																
	200		135		375	4																
	260				435	5																
	410				585	6																
	Other (min. 75 *)					9																
Nominal length L [mm]	110	Length of adapter L _n [mm]	65	Length of measuring insert L _{mv} [mm]	215	1	2	0														
	140				245	2																
	170				275	3																
	200				305	4																
	260				365	5																
	410				515	6																
	Other (min. 75 *)					9																
Length of adapter	135mm (125mm)					1	0															
	65 mm *) max. -70 to 250°C					2																
	Other **) (min. 65 mm)					9																
Connecting thread / diameter of measuring insert	M18 x 1.5 / Ø6mm																					
	M20 x 1.5 / Ø6mm																					
	G1/2 / Ø6mm																					
	M14 x 1.5 / Ø3mm *)																					
	1/2-14NPT / Ø6mm																					
Head of sensor with thread for outlet (Ex d)	Aluminium alloy painted with blue epoxy colour		M20x1.5																			
			1/2-14NPT																			
	Corrosion-resistant steel 1.4401		M20x1.5																			
Thermocouple	K																					
	J																					
Accuracy class	1 *)																					
	2																					
Design of measuring ends of thermocouple pursuant to figure 3	Single thermocouple, insulated end																				/JI	
	Double thermocouple, independent end																					/DU
Converter type		Galvanic separation	Ex	Range [°C]																		
Analogue linear output signal with thermoelectric voltage	APAQ-HCF			Adjustable range																	/HCF	
	APAQ-HCFX				•																	/HCFX
Programmable linear output signal with temperature	TH 200		•	Programmable range																	/TH200	
	TH 200-ex		•		•																	/TH200X
	IPAQ-H		•		•																	/IPAQH
	IPAQ-HX		•		•																	
Programmable with HART protocol linear output signal with temperature	MINIPAQ-HLP																				/MINIPAQ	
	TH 300		•																			/TH300
	TH 300-ex		•	•																		/TH300X
	MESO-H		•																			/MESOH
	MESO-HX		•	•																		/MESOHx
	248 HA NA		•																			/248HANA
	248 HA I1		•	•																		/248HAI1X
644 HA NA		•																			/644HANA	
644 HA I1		•	•																		/644HAI1X	
Other *)																					/99	
Without converter (for installation of the converter by customer)																					/00	
LED display to loop 4-20mA (only with converter APAQ-HCF, MINIPAQ-HLP)																						
LED display *) (it is not possible with head from corrosion-resistant alloy)																						/LD

Standard design

*) Only as a special requirement after an agreement with the manufacturer

**) In case of adapter length below 125 mm (minimum 65 mm), the temperature range is decreased to -70 to 250 °C.

ORDERING TEMPERATURE SENSORS

The purchase order shall specify

- Name
- Product ordering number
- Measuring range
- If calibration is required and in what temperature points
- If the delivery of a heat sink and a weld-on piece pursuant to the type 991 is required for the sensor as accessories
- If the delivery of outlet for output cable pursuant to the type 991 is required for the sensor as accessories
- If optional accessories to the sensor with programmable converter is required
- Other (special) requirements
- Number of pieces

Behind the ordering number specified pursuant to the above mentioned table, the customer shall identify the required range of measured temperature (i.e. lower and upper temperature limits in °C) and, as the case may be, other non-standard required parameters for converter configuration (e.g. indication of sensor tripping, dampening, required designation - tagging etc.).

PURCHASE ORDER EXAMPLE

Standard design:

Thermoelectric temperature sensor Ex d to heat sink
 DIN
 Without converter
 333 410 111 K2/JI
 Range -70 to 450°C
 6 pcs

Special requirement:

Thermoelectric temperature sensor Ex d to heat sink
 DIN
 With converter
 333 910 211 J2/HCF
 Nominal length L = 380 mm, range 0 to 300°C
 6 pcs

ORDERING HEAT SINKS AND WELD-ON PIECES AND OUTLETS

The purchase order shall specify:

- Name
- Product ordering number
- Number of pieces

PURCHASE ORDER EXAMPLE

Standard design:

Welding heat sink pursuant to DIN, shape 4
 991 DIN 407244
 20 pcs

ORDERING NUMBERS OF WELD-ON PIECES, type 991

- Weld-on piece - 991 NVD4 D24 51 (material 15 128.5)
- 991 NVD4 D26 51 (material 15 128.5)
- 991 NVD4 D24 72 (material 1.4541)
- 991 NVD4 D26 72 (material 1.4541)

ORDERING NUMBERS OF OUTLETS, type 991

- Outlet M 20 x 1.5 (with clamp against cable pull-out)
 - for cable Ø4 8.5mm VM 408
 - for cable Ø 6 12mm VM 612
 - for cable Ø 8.5 16mm VM 816
 - (The set consists of the outlet itself, cable clamp and sealing under outlet 20x24)
- Outlet 1/2-14NPT (with clamp against cable pull-out)
 - for cable Ø 4 8.5mm VK 408
 - for cable Ø 6 12mm VK 612
 - for cable Ø 8.5 15.5mm VK 815
 - (The set consists of the outlet itself and cable clamp)

TABLE 2 - OVERVIEW OF DESIGNS AND ORDERING OF WELDING HEAT SINKS PURSUANT TO DIN, SHAPE 4 (4F)

SPECIFICATIONS					ORDERING NUMBER								
					991	DIN	x	x	x	x	x	x	
Heat sink with cone pursuant to type 991	Welding	Heat sink, shape 4 pursuant to DIN 43772	Without flange PN 250			4	0						
			With flange **)			4	F						
		Inner bore [mm]							7				
		Inner thread / outer Ø of heat sink		M18x1.5/ Ø 24							2		
			M20x1.5/ Ø 26							3			
			G 1/2/Ø 26							4			
Nominal length of heat sink L [mm]		L1 [mm]	65	L2 [mm]	105							1	
			140		140						2		
			170		170						3		
			200		200						4		
			200		200						5		
			260		260						6		
			410		410						7		
			Other (max. 410) *)								9		
Material of heat sink ***)	Cannot be used for 0	Maximum operation temperature	550 °C									1	
			580 °C									2	
			580 °C									3	
			400 °C									4	
			Pursuant to heat sink material										9

*) As a special requirement after an agreement with the manufacturer
 **) Design of flange (shape, PN, DN and material) pursuant to the requirement of the customer
 ***) Surface treatment of heat sinks from material 1.7335 and 1.7380: preservation with grease – oil
 ****) For zone 0, it is necessary to use a heat sink from corrosion resistant steel (pursuant to ČSN 60079-26 ed. 2)

PACKING

Both sensors and accessories are delivered in a packing ensuring resistance to the impact of thermal effects and mechanical effects pursuant to controlled packing regulations.

EN 60721-3-2 (i.e. by airplanes and trucks, in premises that are ventilated and protected against atmospheric conditions).

TRANSPORT

The sensors may be transported on conditions corresponding to the set of combinations of classes IE 21 pursuant to ČSN

STORAGE

The products may be stored on conditions corresponding to the set of combinations of classes IE 12 pursuant to ČSN EN 60721-3-1, but with ambient temperature from -20 to 70 °C (i.e. in places without control of temperature and humidity, with danger of occurrence of condensation, dropping water and formation of ice, without a special threat of an attack with

biological agents, with vibrations of small significance and not situated close to source (Internal clamp dust and sand).

CALIBRATION

It is realized pursuant to TPM 3322-94 and in compliance with ČSN EN 60584-1 and ČSN IEC 584-2, usually in three temperature points evenly distributed within the operation range of the sensor or in the points according to the requirement of the customer. Calibration sheets with measured data are issued for calibrated sensors.

RELIABILITY

Indicators of reliability in operation conditions and ambient conditions specified herein

- Medium time of operation between failures 96 000 hours (inf. value)

Expected service life 10 years

INSTALLATION AND CONNECTION

SENSOR INSTALLATION

Install the sensors by screwing into the relevant heat sink screwed into the weld-on piece on the piping (technological equipment) or welded into the piping wall. Before the installation, put on the enclosed sealing ring in advance (for thread 1/2-14NPT, the sealing ring is not used). During the installation, torque of 70 Nm is recommended., for thread 1/2-14NPT it is 40 Nm.

With respect to maintaining metrological properties and the longest possible service life, it is not recommended to install the sensors in places with high turbulence of the medium, which is caused e.g. by a rapid transition from a small diameter of the piping to a larger one (when failing to comply with the required shape and dimensions of diffuser behind the flow meter), etc. Recommended distance of the temperature sensor from the installation flange of the flow meter is min. 1 m.

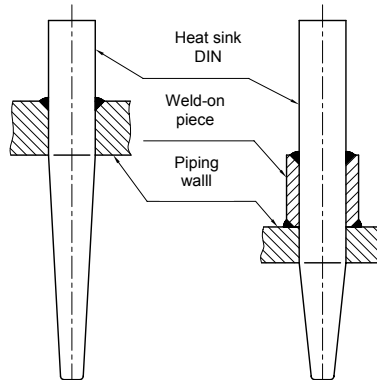


WARNING


Only in a set with a heat sink pursuant to ČSN EN 60079-26 ed. 2, the temperature sensor may be used for zone 0. Distance of the fixed closure Ex d IIC from close structures or between the closures shall be at least 40 mm.



EXAMPLES OF INSTALLATION OF HEAT SINKS DIN



INSTALLATION OF CABLE OUTLET

To secure the fixed closure, only the certified cable outlet  II 2 GD Ex d IIC with Ingress Protection IP 68 shall be used (refer to accessories 991 or another similar outlet). It shall be tightened in the sensor head in the prescribed way.

Torque of outlet body:

- | | | |
|----|------------------------------------|-----------|
| a) | for outlet with thread 1/2 - 14NPT | 25 – 30Nm |
| b) | for outlet with thread M20x1.5 | 30 – 35Nm |

Installation of the cable in the outlet, its sealing and securing against pull-out shall be realized pursuant to the instruction sheet of the outlet supplier.



WARNING

Do not use other sealing rings in the outlet than the original ones delivered by the manufacturer. Do not change artificially the outer diameter of the cable e.g. by winding it around with electrical insulating tapes.

ELECTRICAL CONNECTION

The electrical connection may be only realized by qualified workers pursuant to § 5 of the Decree 50/1978 Coll.

The sensor installation in conditions with explosive gaseous atmosphere shall comply with the requirements of ČSN EN 60079-14 ed. 2.

The sensor installation in conditions with flammable dust shall comply with the requirements of ČSN EN 61241-14.

The sensor without converter may be used during the installation pursuant to ČSN EN 60079-14 ed.2 (ČSN EN 61241-14) as single equipment pursuant to ČSN EN 60079-11, Article 5.7., in intrinsically safe circuit Ex ia. It may be used as an electrical equipment of group IIC with temperature class T1...T6 in dependence on the temperature of the measured medium pursuant to ČSN EN 60079-0 ed.2 in zone 0 (20).

The terminal board of the sensor (converter) is accessible after unscrewing the lid of the head.

Connect the evaluation devices to the sensor with a cable with double insulation; internal wires with Cu core (sensor with converter) or compensation wiring (sensor without converter) 0.5 to 1.5 mm². Seal the cable in the outlet by prescribed tightening of the closing nut pursuant to instruction sheet of the outlet. Then secure it with clamp against pull-out.



WARNING

Do not use for electrical connection of independent wires without jacket. To ensure the Ingress protection grade in the outlet, the connecting cable shall have circular cross-section. Temperature resistance of the cable shall comply with the ambient temperature!



The cable insulation shall have chemical and mechanical resistances in compliance with the conditions, in which the cable will be installed. It is recommended supporting the cable along its length between the sensor and the follow-up device. In the environment with interfering signals, use shielded cable in the power supply circuit. Shielding may be only grounded (earthed) in one point. The cable should not be placed together with power cables.

In case of the sensor with HART protocol converter, the maximum length of wiring is defined by the arrangement of wires of the connecting cable. The total length of wiring may be up to 1500 m. It requires a twisted two-wire with shared shielding with the diameter of the cross section min. 0.5 mm². The HART communicator is connected to the power supply loop of the sensor with converter pursuant to Figure 1.

To achieve reliable communication, resistor 250 shall be introduced in the circuit of the output loop.



WARNING

Programmable converter may not be connected to a computer or a HART communicator if the converter is located in explosive environment.



WARNING for sensor with converter Ex i

Ex i parameters shall be complied with pursuant to the enclosed converter manual.

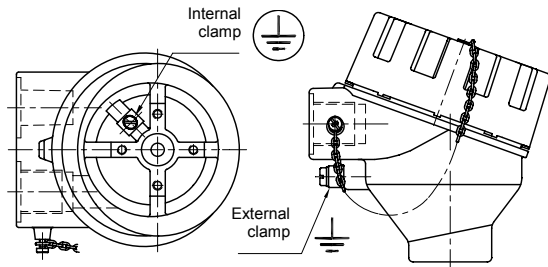
To ensure safety, an intrinsically safe source shall be always used pursuant to the converter manual, e.g. INAP 901 ordering number 901 000 101.

Surface temperature of the converter may not exceed maximum surface temperature for that particular temperature class.

For the installations in dangerous areas, mutual connection is required (bringing to the same potential). To achieve it, terminals on the sensor head can be used.

The sensor need not be connected to the system of mutual connection independently if it is installed firmly and has metal interconnection with structural parts or the piping, which is connected to the system of mutual connection.

SENSOR HEAD WITH TERMINALS




Maximum cross-section of wire for connection to external and internal terminals:

Internal terminal: stranded wire 1.5 mm², full wire 2.5 mm²
 External terminal: stranded wire 4.0 mm², full wire 6.0 mm²
 If stranded wires are used for the interconnection, they shall be protected against fraying with a pressing hollow.

CLOSING HEAD OF FIXED CLOSURE Ex d

After electrical connection of the sensor, the lid of the head shall be fully tightened by hand, then released slightly to ensure matching with the closest groove against the securing pin and fixed with this screw against releasing. If the lid of the sensor is not tightened and secured with the above mentioned screw, the sensor does not comply with the requirements of fixed closure Ex d.


WARNING: 
Power supply of the sensor may not be connected before closing the fixed closure!

COMMISSIONING


After the sensor installation, including closing the fixed closure, and connection of the follow-up (evaluation) device to the supply voltage (and the settlement period of the converter), the equipment is prepared for operation.
 Electric installations in dangerous area required initial revisions pursuant to ČSN EN 60079-17 ed. 3 (ČSN EN 61241-17).

OPERATION AND MAINTENANCE

The sensor does not require any operation, maintenance and follow-up periodical revisions or permanent supervision of expert staff shall be carried out pursuant to ČSN EN 60079-17 ed. 3 (ČSN EN 61241-17).

WARNING 
Any intervention into the sensor and its structure will result in a change of properties and can result in an explosion!

SENSOR UNINSTALLATION

WARNING 
Warning: Temperature sensor is in design Ex and must be disconnected from the supply source before opening the lid of the head and releasing the cable outlet in the explosive environment!

Release the securing screw of the lid by ALLEN key 1.5 mm (a part of accessories). The terminal board of the sensor (converter) is accessible after unscrewing the lid of the head. Measuring insert of the sensor can be replaced and is uninstalled from the head after disconnecting the cable by releasing two screws.
 Before a complete uninstallation of the sensor, the wire for mutual interconnection shall be released from the external terminal or the internal terminal on the head of the sensor. Disconnect the connecting cable from the terminal board, then release it from the clamp on the outlet and from closing nut of the outlet. Unscrew the sensor from the heat sink; torque for releasing is approx. 70 Nm, for thread 1/2-14NPT it is 40 Nm. While releasing the screw-joint of the sensor, the heat sink may never be released.

SPARE PARTS

Spare parts shall be delivered by the manufacturer.

Relevant measuring inserts can be ordered pursuant to the following table:

SPECIFICATIONS		ORDERING NUMBER				
		MV330	/xxx/	1	x	/xxxx
Length of measuring insert [mm]			pursuant to tab.1	1		
Sensing probe	Thermocouple K				K	
	Thermocouple J				J	
Accuracy class	1					1
	2					2
Connection of the terminal and design of measuring ends of thermocouple or converter	Single thermocouple, insulated end					/JI
	Double thermocouple, independent end					/DU
	Converter pursuant to tab. 1					/converter

EXAMPLE OF PURCHASE ORDER OF MEASURING INSERT

Thermoelectric measuring insert without converter
 330 /375/ 1K2/JI
 6 pcs

WARRANTY

Pursuant to Section 429 of the Commercial Code and the provisions of Section 620 (2) of the Civil Code, the manufacturer warrants for technical and operation parameters of the product specified in the manual. The warranty period is 24 months from the receiving of the product by the customer, unless established otherwise in the contract. Rejection of defects shall be enforced in writing at the manufacturer within the warranty period. The rejecting side shall identify the product name, ordering and manufacturing numbers, date of issue and number of the delivery note, clear description of the occurring defect and the subject of the claim. If the rejecting side is invited to send the device for repair, it shall do so in the original package of the manufacturer and/or in another package ensuring safe transport.
 The warranty shall not apply to defects caused by unauthorized intervention into the device, its forced mechanical damage or failure to comply with operation conditions of the product and the product manual.

REPAIRS

The sensors shall be repaired by the manufacturer. They shall be sent for repair in the original or equal package without accessories.

DISABLING AND LIQUIDATION

They shall be realized in compliance with the Waste Act No. 106/2005 Coll.
 The product and its package do not include any parts that could impact the environment.
 Products that are withdrawn from operation, including their packages (with the exception of products marked as electrical equipment for the purposes of return withdrawal and separate salvage of electrical waste), may be disposed of to sorted or unsorted waste pursuant to the type of waste.
 The manufacturer realizes free return withdrawal of marked electrical equipment (from 13.8.2005) from the consumer and points out the danger connected with their illegal disposal. The package of the sensor can be recycled completely. Metal parts of the products are recycled, non-recyclable plastic materials and electrical waste shall be disposed of in compliance with the aforesaid Act.

FIGURE 1 - SCHEME OF CONNECTION OF TEMPERATURE SENSORS

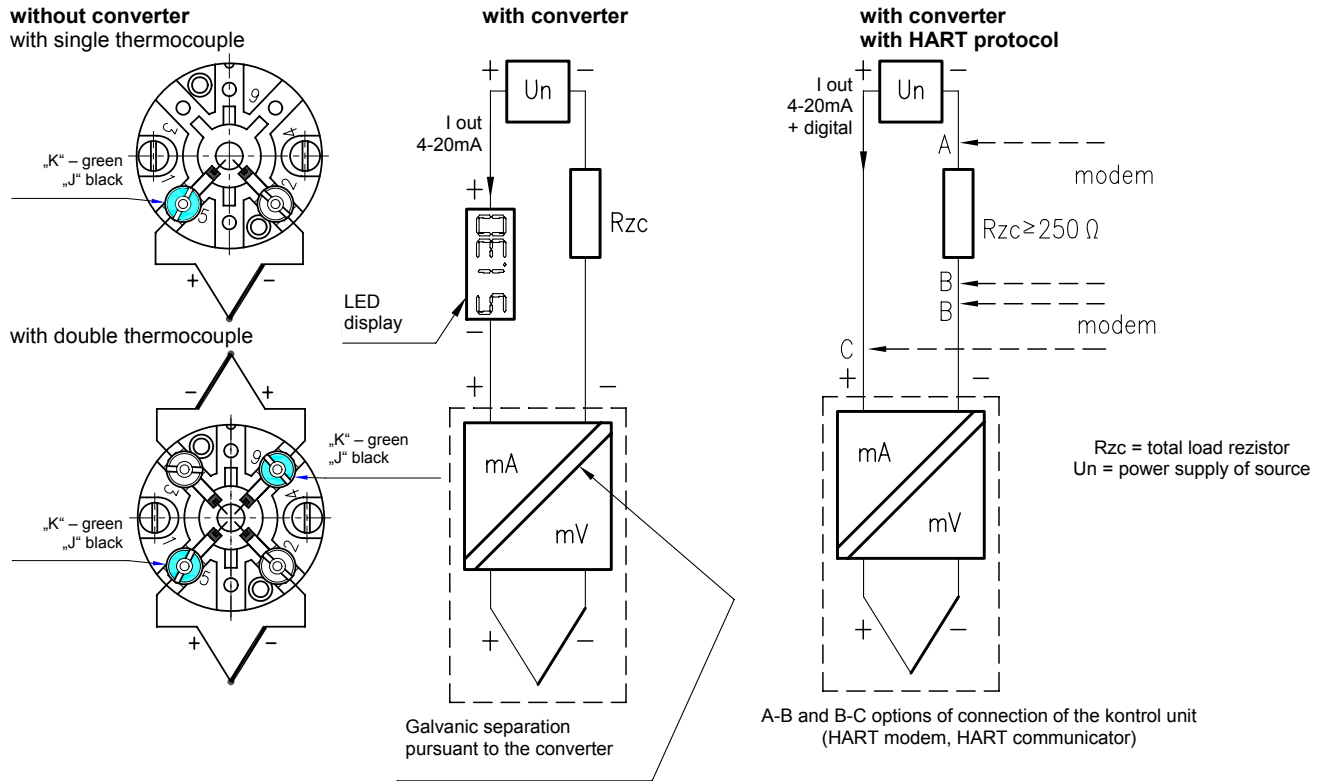


Figure 2 - EXAMPLE OF OPERATION CONNECTION OF TEMPERATURE SENSOR WITH CONVERTER IN LOOP 4 - 20 mA

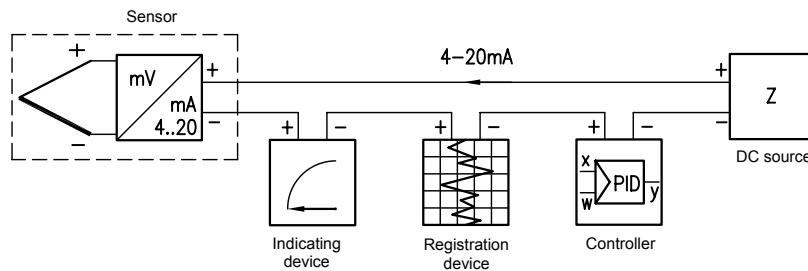


FIGURE 3 - DESIGN OF MEASURING ENDS OF JACKETED THERMOCOUPLES (SCHEMATIC ILLUSTRATION)

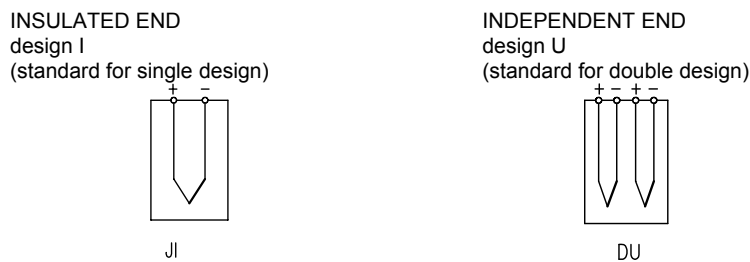


FIGURE 4 - EXAMPLE OF INSTALLATION OF TEMPERATURE SENSORS Ex d TO HEAT SINK DIN
(for cases when a higher upper limit of the measurement range is required than the required temperature class)

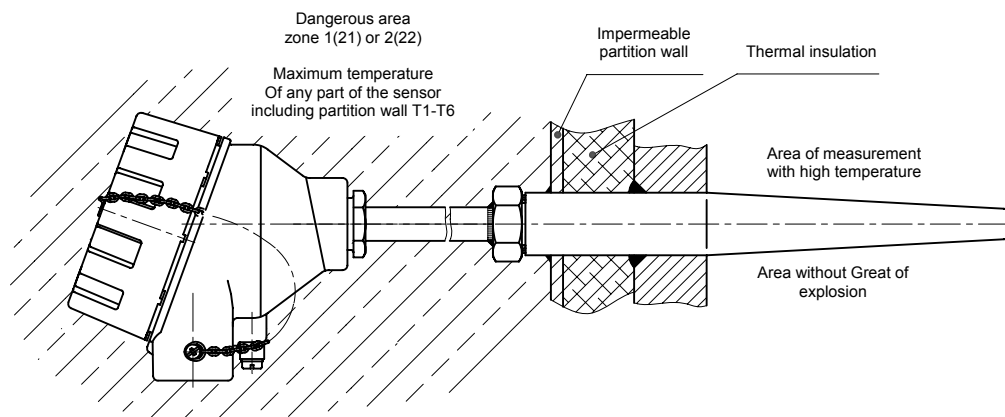


FIGURE 5 - MARK OF NON-EXPLOSIVENESS

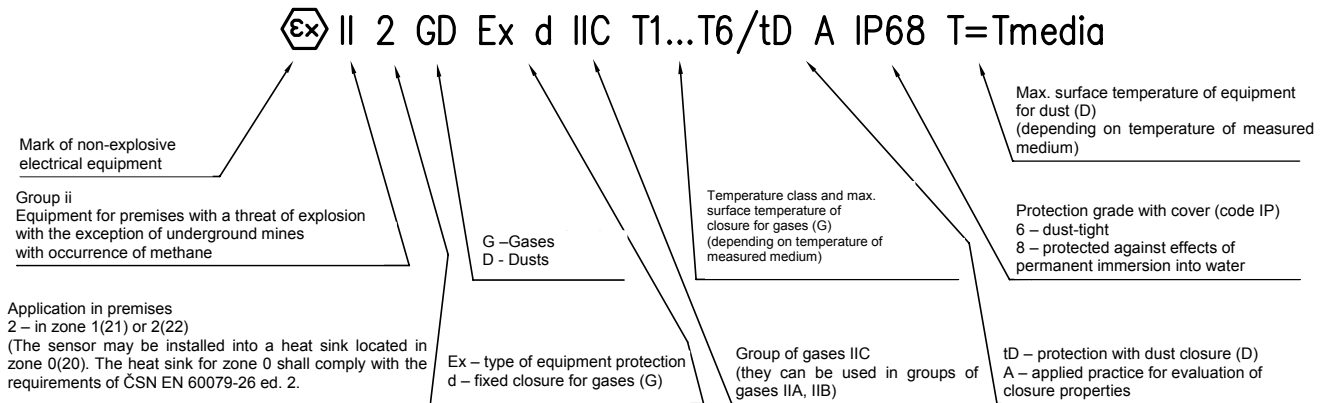
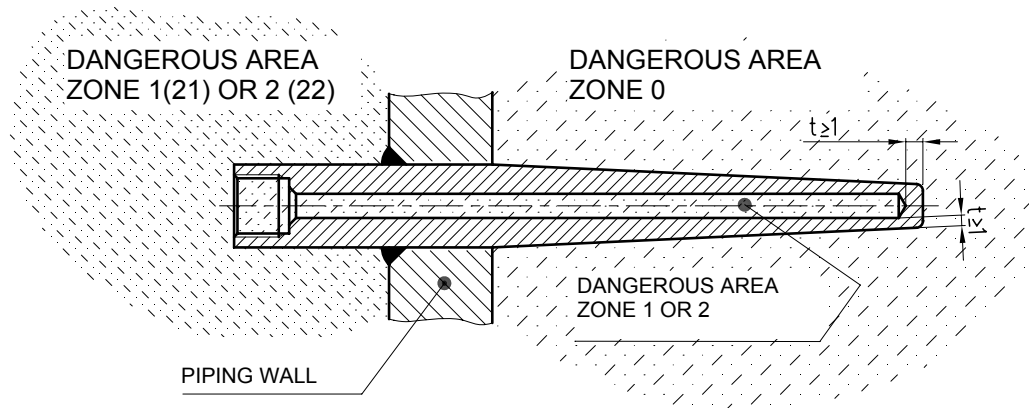


FIGURE 6 – HEAT SINK FOR TEMPERATURE SENSOR Ex d FOR ZONE 0 (pursuant to ČSN EN 60079-26 ed. 2)

The heat sink, which is used in the function of the partition wall between the zones 1 or 2 and zone 0, shall be made of corrosion-resistant metal and with wall thickness $t \geq 1$ mm.



October 2008



MMG Műszerszerviz Kft.
 1036 Budapest, Dereglye u. 1.,
 Tel/fax: 204-2252, Tel:203-7443
 Web: www.mmg.hu, E-mail: info@mmg.hu