



MMG Műszerszerviz Kft.
1036 Budapest, Dereglye u. 1.,
Tel/fax: 204-2252, Tel:203-7443
Web: www.mmg.hu, E-mail: info@mmg.hu

Mechanical pressure gauges

DUPPLEX PRESSURE GAUGE WITH BOURDON TUBE

KL 100_D_116_2010_12_E

MM 100 D/116/1,6
MM 100 D/416/1,6



Application:

For all gaseous and low-viscosity liquid media that will not obstruct the pressure system or attack copper alloy parts.
Type MM 100 D/416/1,6 for aggressive media

Suitable for industry, heating, water supply, air conditioning. For measuring pressure difference between two pressures at filters, heating circuit, etc.

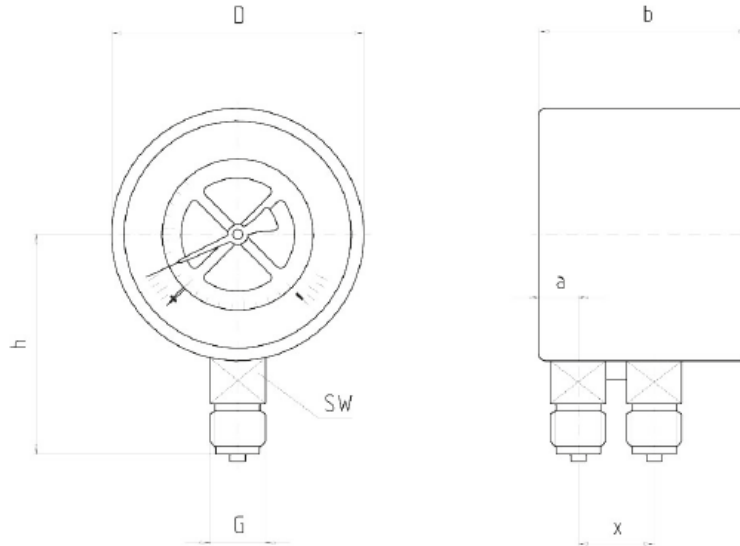
Technical parameters:

Construction	EN 837-1
Nominal size	100 mm
Accuracy glass	1,6%
Scale range	0-0,6 bar to 0-1000 bar
Working pressure	Static load 75% of full scale value dynamic load 65% of full scale value
Operating temperature	ambient - 20.....+60°C medium max +60°C/+150°C extended upon request
Temperature effect	when temperature of the pressure element deviates from reference(+ 20°C) $\pm 0,04 \times (t_2 - t_1) \%$
Movement	brass
Dial	white aluminium, dial marking black
Pointer	black, second red-rotary
Lens	glass
Case	bayonet ring, carbon steel black
Measuring element	bourdon tube "C" typ up to 60 bar coiled tube over 100 bar
Socket	brass-MM100D/116/1,6 stainless steel-MM100D/416/1,6
Connection	2x lower mount (LM)
Connection thread	M 20x1,5 (G 1/2, other)*
Protection	IP 33 EN 60 529
Options	backward flange*

* marked execution on special request



MMG Műszerszerviz Kft.
 1036 Budapest, Dereglye u. 1.,
 Tel/fax: 204-2252, Tel:203-7443
 Web: www.mmg.hu, E-mail: info@mmg.hu



dimension (mm)						
a	b	D	G	h	x	SW
15,5	82	100	M 20x1,5 G 1/2	87	32	22

IDENTIFICATION:

model	execution	pressure range	material	weight
MM 100 D/116/1,6	dry	0-0,6 bar ÷ 0-100 bar	brass	1000 g
MM 100 D/216/1,6	dry	0-160 bar ÷ 0-1000 bar	brass	1050 g
MM 100 D/416/1,6	dry	0-0,6 bar ÷ 0-100 bar	stainless steel	1000 g
MM 100 D/516/1,6	dry	0-160 bar ÷ 0-1000 bar	stainless steel	1050 g