



**MMG Műszerszerviz Kft.**  
 1036 Budapest, Dereglye u. 1.,  
 Tel/fax: 204-2252, Tel:203-7443  
 Web: [www.mmg.hu](http://www.mmg.hu), E-mail: info@mmg.hu

**Mechanical pressure gauges**

**DIAPHRAGM PRESSURE GAUGE - INDUSTRY SERIES**

KL 100\_S\_717\_2,5\_2011\_01\_E

**MM 100 S/717/2,5**



**Application:**

For difficult gaseous and liquid media which are viscous, aggressive, includes element or pollute.

Suitable for chemical industry, petro-chemical industry, mining industry, mechanical engineering, environmental technology and plant construction .

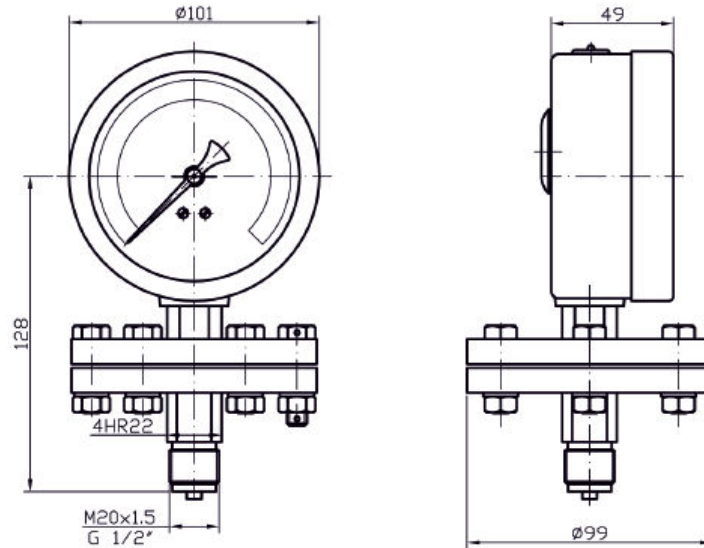
**Technical parameters:**

Construction:	EN 837-3
Nominal size	100 mm
Accuracy class	2,5%
Scale range	0-60 kPa to 0-2,5 MPa, 0-0,6 bar to 0-25 bar vacuometer, manovacuumeter*
Working pressure	static load 75% of full scale value dynamic load 65% of full scale value
Operating temperature	ambient 20.....+60°C medium max. +100°C
Temperature effect	when temperature of the pressure element deviates from reference (+20°C); ± 0,08x(t <sub>e</sub> -t <sub>i</sub> )%
Movement	brass
Dial	white aluminium, dial marking black
Pointer	black aluminium
Lens	glass
Case	bayonet ring, stainless steel
Measuring element	diaphragm ≤ 2,5 bar stainless steel 1.4571 > 2,5 bar carbon steel, zinc plated
Gasket	PTFE
Upper flange	carbon steel, zinc plated
Bottom flange	carbon steel, zinc plated
Connection	lower mount (LM)
Connection thread	M 20x1,5 (G1/2, other)*
Protection	IP 31 EN 60 529

\* marked execution on special request



**MMG Műszerszerviz Kft.**  
 1036 Budapest, Dereglye u. 1.,  
 Tel/fax: 204-2252, Tel:203-7443  
 Web: [www.mmg.hu](http://www.mmg.hu), E-mail: info@mmg.hu



**IDENTIFICATION:**

model	execution	pressure range	weight
MM 100 S/717/2,5	dry	0-0,6 bar ÷ 0-25 bar	1650 g