



**MMG Műszerszerviz Kft.**  
 1036 Budapest, Dereglye u. 1.,  
 Tel/fax: 204-2252, Tel:203-7443  
 Web: [www.mmg.hu](http://www.mmg.hu), E-mail: info@mmg.hu

**Mechanical pressure gauges**

**DIAPHRAGM PRESSURE GAUGE - INDUSTRY SERIES**

KL 160\_K\_717\_1,6\_2011\_01\_E



**MM 160 K/717/1,6**  
**MM 160 G/717/1,6**

**Application:**

For difficult gaseous and liquid media which are viscous, aggressive, includes element or pollute. With liquid filled case for applications with high dynamic pressure pulsations or vibrations.

Suitable for chemical industry, petro-chemical industry, mining industry, mechanical engineering, environmental technology and plant construction .

**Technical parameters:**

Construction:	EN 837-3
Nominal size	160 mm
Accuracy class	1,6%
Scale range	0-60 kPa to 0-2,5 MPa, 0-0,6 bar to 0-25 bar vacuometer, manovacuumeter*
Working pressure	static load 75% of full scale value dynamic load 65% of full scale value
Operating temperature	ambient 20.....+60°C medium max. +100°C
Temperature effect	when temperature of the pressure element deviates from reference (+20°C); $\pm 0,08x(t-t_0)\%$
Movement	brass (stainless steel)*
Dial	white aluminium, dial marking black
Pointer	black aluminium
Lens	glass
Case	bayonet ring, stainless steel
Measuring element	diaphragm $\leq 2,5$ bar stainless steel 1.4571 $> 2,5$ bar carbon steel, zinc plated (protection foil: PTFE, 1.4571, duratherm)* PTFE
Gasket	
Upper flange	stainless steel 1.4301
Bottom flange	stainless steel 1.4301 (1.4571, corrocoat, PTFE)*
Connection	lower mount (LM)
Connection thread	M 20x1,5 (G1/2, 1/2 NPT, other)*
Protection	IP 54 EN 60 529 IP 65 EN 60 529 filled glycerine
Filling	glycerine (silicone*)
Options	process connection EN 1092 ( DN25- DN65 )* other connection thread e.g. M65x1,5*

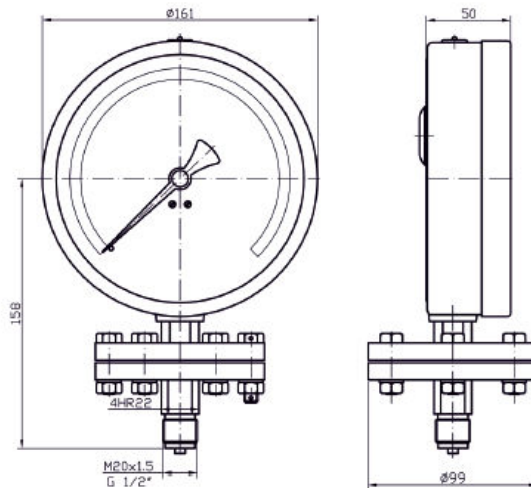
\* marked execution on special request

Specifications are subject to change without notice

KL 160\_K\_717\_1,6\_2011\_01\_E



**MMG Műszerszerviz Kft.**  
 1036 Budapest, Dereglye u. 1.,  
 Tel/fax: 204-2252, Tel:203-7443  
 Web: [www.mmg.hu](http://www.mmg.hu), E-mail: info@mmg.hu



**IDENTIFICATION:**

model	execution	pressure range	weight
<b>MM 160 K/717/1,6</b>	dry	0-0,6 bar ÷ 0-25 bar	2035 g
<b>MM 160 G/717/1,6</b>	glycerine	0-0,6 bar ÷ 0-25 bar	3035 g