

MMG Műszerszerviz Kft.
1036 Budapest, Dereglye u. 1.,
Tel/fax: 204-2252, Tel:203-7443
Web: www.mmg.hu, E-mail: info@mmg.hu

Mechanical pressure gauges

BOURDON TUBE PRESSURE GAUGE - STANDARD SERIES

KL 60_S_112_2010_12_E

MM 60 S/112/1,6



Application:

For all gaseous and low-viscosity liquid media that will not obstruct the pressure system or attack copper alloy parts.

Suitable for industry, heating, water supply, air-conditioning, pneumatics.

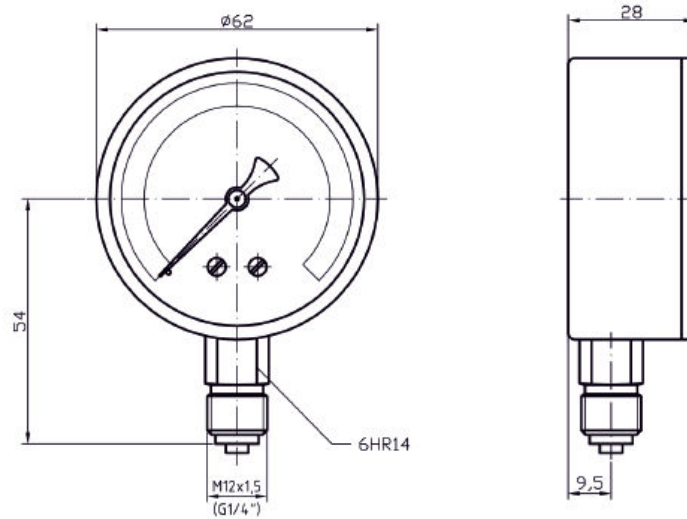
Technical parameters

Construction:	EN 837-1
Nominal size:	63 mm
Accuracy class:	1,6%
Scale range:	0-1 bar to 0-250 bar
Working pressure:	static load 75% of full scale value dynamic load 65% of full scale value
Operating temperature:	ambient 20.....+60°C medium max. +60°C
Temperature effect:	when temperature of the pressure element deviates from reference (+20°C) $\pm 0,04 \times (t_2 - t_1) \%$
Movement:	brass
Dial:	white aluminium, dial marking black
Pointer:	black aluminium
Lens:	polycarbonate
Case:	carbon steel chrome plated
Measuring element:	≤ 60 bar "C" type > 60 bar helical type
Socket:	brass
Connection:	lower mount (LM)
Connection thread:	M 12x1,5 (G1/4, other)*
Protection:	IP 31 EN 60 529
Options:	*

* marked execution on special request



MMG Műszerszerviz Kft.
 1036 Budapest, Dereglye u. 1.,
 Tel/fax: 204-2252, Tel:203-7443
 Web: www.mmg.hu, E-mail: info@mmg.hu



IDENTIFICATION:

model	execution	pressure range	flange	weight
MM 60 S/112/1,6	Dry	0-1 bar ÷ 0-60 bar		135 g
MM 60 S/212/1,6	Dry	0-100 bar ÷ 0-250 bar		135 g



MMG Műszerszerviz Kft.
1036 Budapest, Dereglye u. 1.,
Tel/fax: 204-2252, Tel:203-7443
Web: www.mmg.hu, E-mail: info@mmg.hu