



MMG Műszerszerviz Kft.
 1036 Budapest, Dereglye u. 1.,
 Tel/fax: 204-2252, Tel:203-7443
 Web: www.mmg.hu, E-mail: info@mmg.hu

Thermometers

**BIMETAL THERMOMETER
STANDARD**

KL TR_2011_02_E

**TR 63
TR 80
TR 100**



Application:

Bimetal thermometer is certain for contact measurement of temperature of gaseous or liquid media.

Suitable for industry, heating, water supply, air-conditioning, pneumatics.

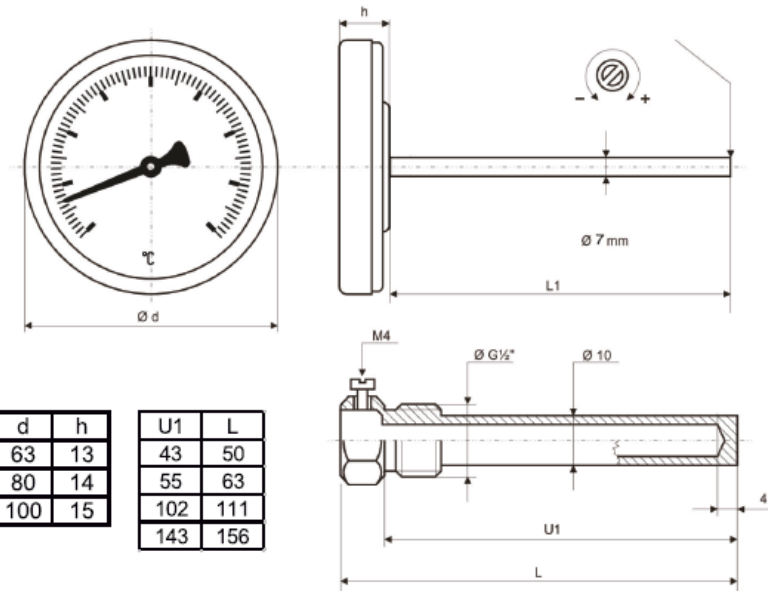
Technical parameters:

Construction:	EN 13 390
Nominal size	63, 80, 100 mm
Thermometer body	chrome plated carbon steel
Lens	glass
Dial	white aluminium
Pointer	black aluminium
Scale	black print
Measure element	bimetal strip
Connection thread	G 1/2
Immersion and protection tube	grass
Diam. of immersion tube	7 mm
Length of immersion tube	50, 100, 160, 200, 400 mm
Temperature range	-30/50, 0/60, 0/120, 0/160, 0/200, 0/350, 0/400 °C
Connection	axial
Accuracy	class 2
Ambient temperature	-20/60°C
Protection	IP41
Options	another range another unit another connection
Notice	measuring part of thermometer (bimetal strip) must be immerse into measuring medium. Use thermometer with protection thermowell.
Working conditions for protection pockets:	
brass	Tmax 160 °C, Pmax 25 bar
steel	Tmax 300 °C, Pmax 40 bar
stainless steel	Tmax 400 °C, Pmax 40 bar

* marked execution on special request



MMG Műszerszerviz Kft.
 1036 Budapest, Dereglye u. 1.,
 Tel/fax: 204-2252, Tel:203-7443
 Web: www.mmg.hu, E-mail: info@mmg.hu



d	h	U1	L
63	13	43	50
80	14	55	63
100	15	102	111
		143	156

IDENTIFICATION:

type	dimension mm D	temperature range (°C)	length stem	connection
TR 63	63	-30/50, 0/60, 0/120,		straight
TR 80	80	0/150, 0/200, 0/350,	50, 100, 160,	straight
TR 100	100	0/400	200, 400	straight