

RP6 SINGLE-PHASE SOLIDE-STATE RELAY

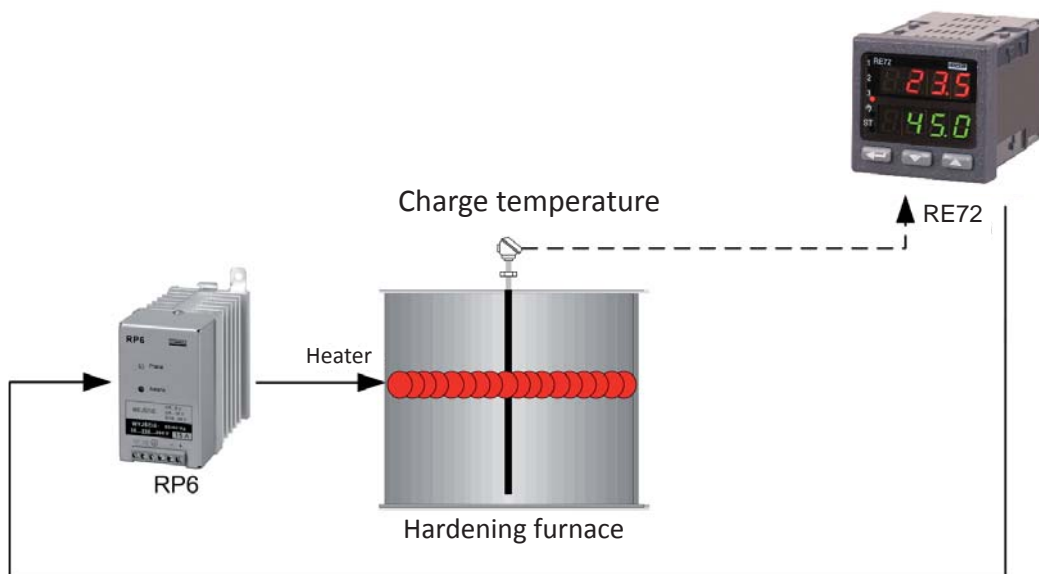
FEATURES:

- SSR 15 A
- ON/OFF control
- Impulse control



- Contactless power switching on.
- Output current: 5, 10 or 15 A.
- Signaling of fuse damages.
- Control by an impulse, continuous or potentiometric signal.
- Kinds of control:
 - on/off with immediate switching on,
 - on/off with switching on at zero
 - impulse with variable impulse frequency.

EXAMPLE OF APPLICATION



Temperature control in the furnace by means of a RP6 S.S.R.

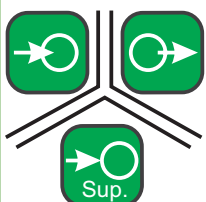
INPUT:

- Impulse and Potentiometric control icons
- 0..10 V
- 0..20 mA

OUTPUTS:

- SSR 15 A

GALVANIC ISOLATION:



INPUTS

Input type	Range	Remarks
impulse	0/4 .. 28 V	max current input: 8 mA, input resistance: 270 Ω
potentiometric	0 .. 10 k Ω	
continuous	0 .. 5 V	input resistance: 9 k Ω
continuous	0 .. 10 V	input resistance: 18 k Ω
continuous	0 .. 20 mA	input resistance: 250 Ω
continuous	4 .. 20 mA	input resistance: 250 Ω

OUTPUTS

Output type	Properties
triac	5, 10, 15 A; 24 .. 230 .. 253 V - on/off control 5, 10, 15 A; 195 .. 230 .. 253 V - impulse control with frequency change

EXTERNAL FEATURES

Overall dimensions	50 x 105 x 105 mm
Weight	0.55 kg
Protection grade	IP20

RATED OPERATING CONDITIONS

Temperature	ambient: 5 .. 20 .. 50°C	storage: -25 .. 80°C
Operating position	vertical	
External magnetic field	< 400 A/m	

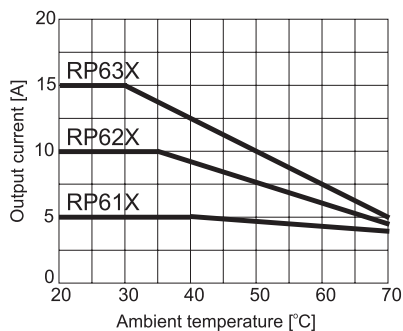
SAFETY AND COMPATIBILITY REQUIREMENTS

Altitude a.s.l.	1000 m
-----------------	--------

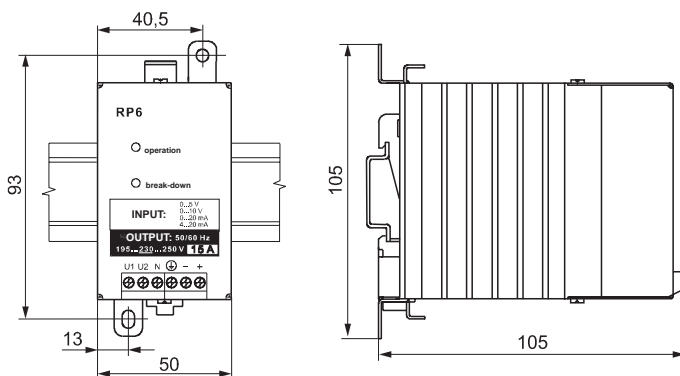
Export department:
 English: +48 68 32 95 302 / 321 / 276 / 386 / 233
 German: +48 68 32 95 305
 French: +48 68 32 95 304
 Russian: +48 68 32 95 321
 Fax: +48 68 32 54 091
 e-mail: export@lumel.com.pl

LUMEL S.A.
 ul. Sulechowska 1
 65-022 Zielona Góra
 WWW.LUMEL.COM.PL

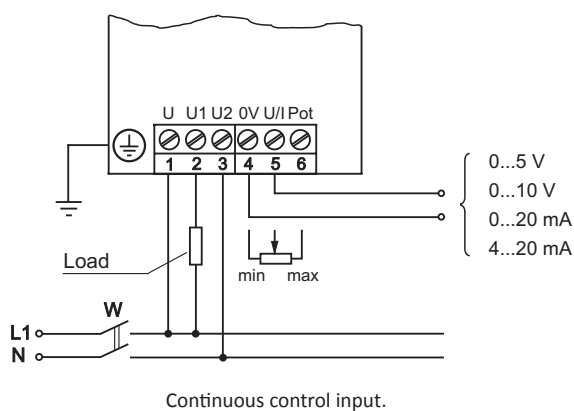
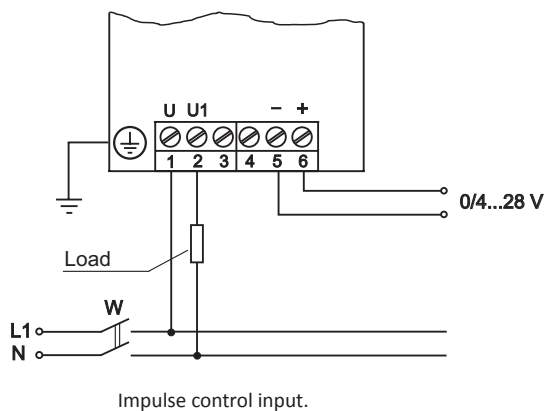
LOAD CAPACITY



OVERALL AND MOUNTING DIMENSIONS



CONNECTION DIAGRAMS



ORDERING

	RP6 -	X	X	X	X
Maximal output current:					
5 A		1			
10 A		2			
15 A		3			
Input signal and kind of control:					
impulse, ON/OFF control without switching at zero		1			
impulse, ON/OFF control with switching at zero		2			
continuous, impulse with variable impulse frequency		3			
Version:					
standard			0		
custom-made			X		
Acceptance tests:					
without additional quality inspection requirements				8	
with an extra quality inspection certificate				7	
other requirements *				X	

* After agreeing with the manufacturer

ORDER EXAMPLE:

the cod: **RP6 - 2 - 2 - 0 - 8** means:

- RP6** - power controller of RP7 type,
- 2** - maximal output current: 10 A,
- 2** - impulse input signal, switching at zero, On/Off control
- 0** - standard version,
- 8** - without additional quality inspection requirements

SEE ALSO:



Controllers.



Temperature sensors.



For more information about LUMEL's products please visit our website:
www.lumel.com.pl

Export department:
English: +48 68 32 95 302 / 321 / 276 / 386 / 233
German: +48 68 32 95 305
French: +48 68 32 95 304
Russian: +48 68 32 95 321
Fax: +48 68 32 54 091
e-mail: export@lumel.com.pl

LUMEL S.A.
 ul. Sulechowska 1
 65-022 Zielona Góra
WWW.LUMEL.COM.PL