



MMG Műszerszerviz Kft.
 1036 Budapest, Dereglye u. 1.,
 Tel/fax: 204-2252, Tel:203-7443
 Web: www.mmg.hu, E-mail: info@mmg.hu

Mechanical pressure gauges

**PRESSURE GAUGES
FOR RAIL CARS**

KL 60_O_155_2011_01_E



MM 60 O/155/2,5

Application:

Pressure gauge is suitable for measuring two separate pressures, for all gaseous and low-viscosity liquid media (without foreign material) that will not obstruct the pressure system or attack copper alloy parts. Suitable for rail cars, especially for pneumatic brake systems and fuel systems.

Construction:

The pressure gauges are provided with two independently working measuring systems. Each system has a separate pressure connection. A special duplex movement with two pointer arbors transfers the pressure caused motion of bourdon tubes to the pointers.

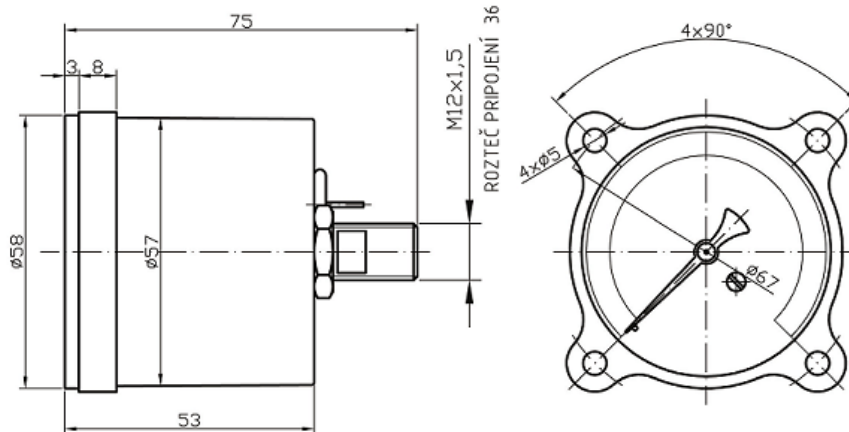
Technical parameters:

Construction:	EN 837-1
Nominal size	63 mm
Accuracy class	2,5%
Scale range	0-10 bar, 0-16 bar, others upon request
Working pressure	static load 75% of full scale value dynamic load 65% of full scale value gauge pressure 100% of full scale value
Operating temperature	ambient 20.....+60°C
Temperature effect	medium max. +60°C when temperature of the pressure element deviates from reference (+20°C) $\pm 0,04x(t_2-t_1)\%$
Humidity	90% at 20°C
Mechanical load	tolerant about mechanical vibration to range 5-80 Hz with amplitude max. 1,5mm and acceleration max. 10g
Movement	brass, duplex
Dial	white aluminium, dial marking black, with zero stop (stop in) customer execution on special request (coloured field, icons)
Pointers	2 x aluminium
Lens	RED (RAL3000), BLACK (RAL9005), BLUE (RAL5012)
Case	glass, at recalibration to dismantle
Measuring element	black bakelite, U-clamp for panel mounting
Mounting position	2 x bourdon tube, bronze, C-type
Socket	90° (other request /45°,60°) *
Connection	brass 2 x Lower back mount (LBM), eccentric
Connection thread	M 12x1,5 (G1/4, other)*
Protection	IP 54 EN 60 529
Lighting	lamp type T5,5 24 V, DC, lcc max. 50mA/24V
Options	* customer execution on special request

* marked execution on special request



MMG Műszerszerviz Kft.
 1036 Budapest, Dereglye u. 1.,
 Tel/fax: 204-2252, Tel:203-7443
 Web: www.mmg.hu, E-mail: info@mmg.hu



IDENTIFICATION:

model	execution	pressure range	mounting	weight
MM 60 O/155/2,5	with lighting	0-10 bar + 0-16 bar	front flange	195 g