



MMG Műszerszerviz Kft.
 1036 Budapest, Dereglye u. 1.,
 Tel/fax: 204-2252, Tel:203-7443
 Web: www.mmg.hu, E-mail: info@mmg.hu

Mechanical pressure gauges

**PRESSURE GAUGES
FOR RAIL CARS**

KL 80_S_155_2011_01_E

**MM 80 S/155/1,6
MM 80 Q/155/1,6**



Application:

Pressure gauge is suitable for measuring pressure in pressure system, for all gaseous and low-viscosity liquid media (without foreign material) that will not obstruct the pressure system or attack copper alloy parts. Suitable for rail cars, especially for pneumatic brake systems and fuel systems.

Construction:

The pressure gauges are provided with working measuring systems, mechanical movement, dial with pointer, aluminium case and socket. A movement arbors transfers the pressure caused motion of bourdon tubes to the pointer.

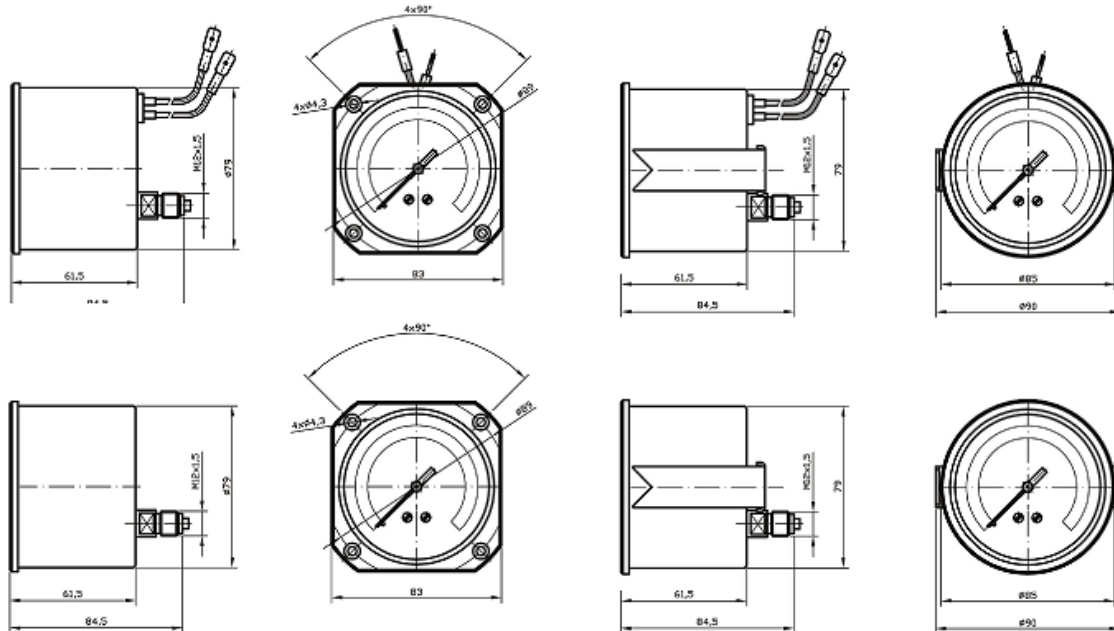
Technical parameters:

Construction:	EN 837-1
Nominal size	80 mm
Accuracy class	1,6%
Scale range	0-10 bar, 0-12 bar, 0-16 bar, others upon request
Working pressure	static load 75% of full scale value dynamic load 65% of full scale value gauge pressure 100% of full scale value
Operating temperature	ambient 20.....+60°C medium max. +60°C
Temperature effect	when temperature of the pressure element deviates from reference (+20°C) ± 0,04x(t ₂ -t ₁)%
Humidity	90% at 20°C
Mechanical load	tolerantion about mechanical vibration to range 5-80 Hz with amplitude max. 1,5mm and acceleration max. 10g
Movement	brass
Dial	white aluminium, dial marking black, with zero stop (stop in) customer execution on special request (coloured field, icons)
Pointers	aluminium
Lens	RED (RAL3020), WHITE (RAL9003), BLUE (RAL5015)
Case	glass, at recalibration to dismantle aluminium mould, black varnished, U-clamp for panel mounting or with front flange
Measuring element	bourdon tube, bronze, C-type
Mounting position	90° (other request /45°,60°) *
Socket	brass
Connection	lower back mount (LBM), eccentric
Connection thread	M 12x1,5 (M 14x1,5, G1/4, other)*
Protection	IP 54 EN 60 529
Lighting	LED system 24 V, DC, Icc max. 50mA/24V
Options	* customer execution on special request

* marked execution on special request



MMG Műszerszerviz Kft.
 1036 Budapest, Dereglye u. 1.,
 Tel/fax: 204-2252, Tel:203-7443
 Web: www.mmg.hu, E-mail: info@mmg.hu



IDENTIFICATION:

model	execution	pressure range	mounting	weight
MM 80S/155/1,6/S	without lighting	0-10 bar, 0-12 bar, 0-16 bar	U-clamp	430g
MM 80S/155/1,6/P8	without lighting	0-10 bar, 0-12 bar, 0-16 bar	flange	430g
MM 80Q/155/1,6/S	with lighting	0-10 bar, 0-12 bar, 0-16 bar	U-clamp	440g
MM 80Q/155/1,6/P8	with lighting	0-10 bar, 0-12 bar, 0-16 bar	flange	440g